

EXAMINATION : AUTHORISATION B

September 2017

Practical Test

Time Allowed - 1Hr

Name & Surname _____
(In Block letters)

Index No. _____

EXAMINATION : AUTHORISATION B

September 2017

Practical Test

Time Allowed - 1Hr

Name & Surname _____
(In Block letters)

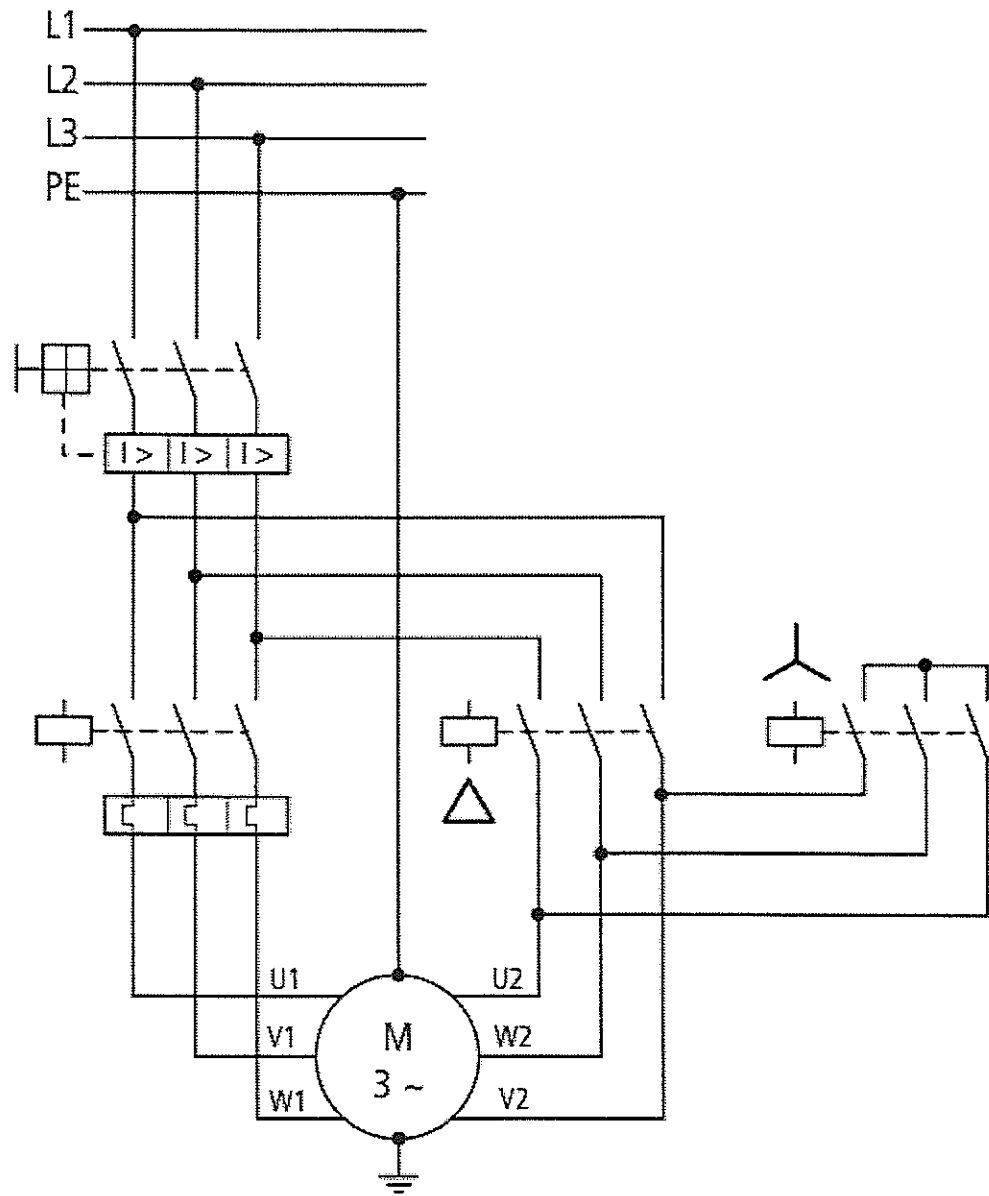
Index No. _____

- a) Explain why we require a starter to start a three-phase induction motor?(**5 marks**)
- b) Why a no-volt release and overload protection are required in the control gear of an induction motor? (**5 marks**)
- c) Draw a single line diagram showing the control gear required by the IET regulations for a motor circuit. (**5 marks**)
- d) What factors need to be considered before selecting a motor for an application? (**5marks**)
- e) Figure 1 shows a block diagram of a motor starter. What type of starter does it represent? (**2 marks**)
- f) Using the diagram of Figure 1 draw the control circuit for the motor starter. (**18 marks**)

Note:

- 1. All diagrams must be neat, clear and fully labelled.
- 2. For safety reasons the control circuit is to be supplied from a 400/24V AC step down transformer.

Figure 1 – Motor Starter Block Diagram



EXAMINATION : AUTHORISATION B

September 2017

Practical Test

Time Allowed - 1Hr

Name & Surname _____
(In Block letters)

Index No. _____

END OF PAPER

EXAMINATION : AUTHORISATION B

September 2017

Practical Test

Time Allowed - 1Hr

Name & Surname _____
(In Block letters)

Index No. _____

EXAMINATION : AUTHORISATION B

September 2017

Practical Test

Time Allowed - 1Hr

Name & Surname _____
(In Block letters)

Index No. _____

EXAMINATION : AUTHORISATION B

September 2017

Practical Test

Time Allowed - 1Hr

Name & Surname _____
(In Block letters)

Index No. _____

EXAMINATION : AUTHORISATION B

September 2017

Practical Test

Time Allowed - 1Hr

Name & Surname _____
(In Block letters)

Index No. _____
